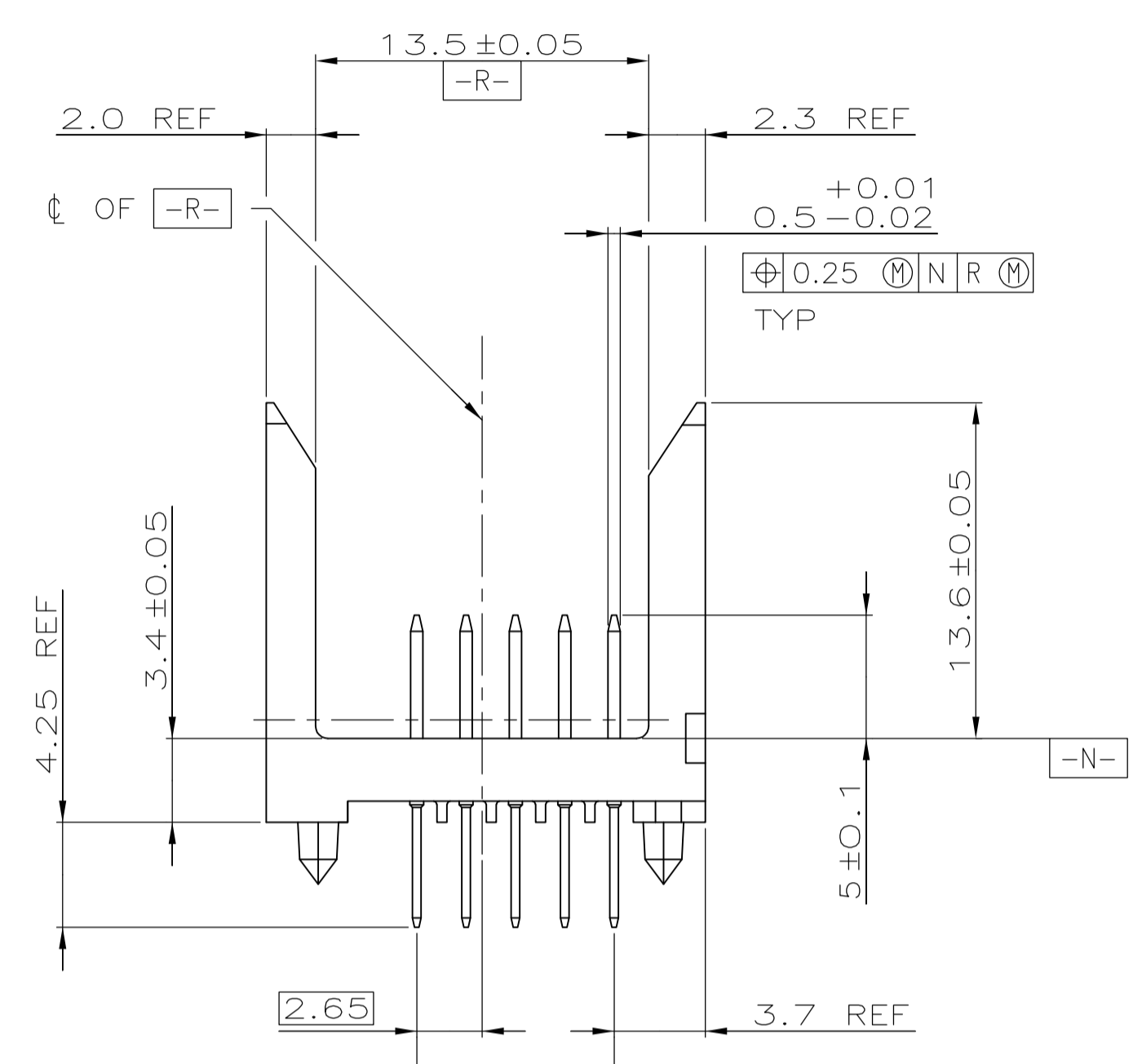
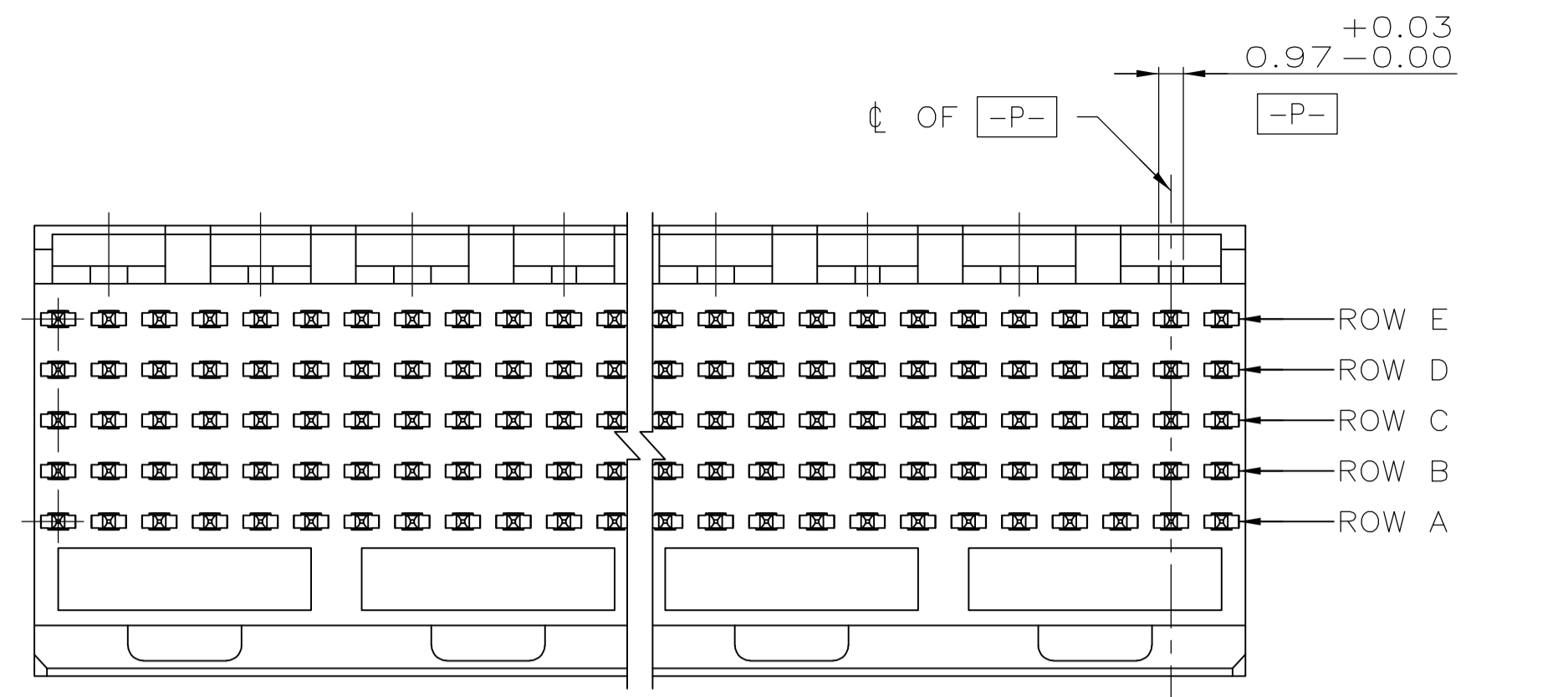
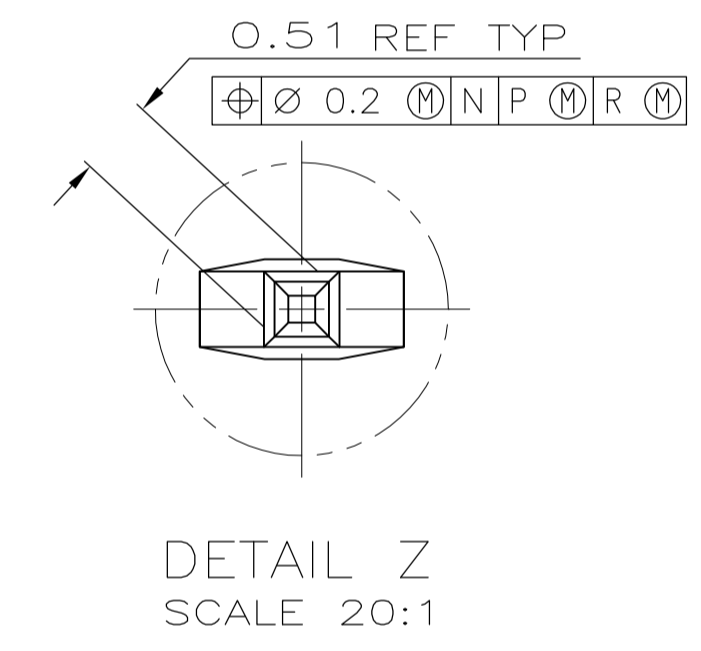
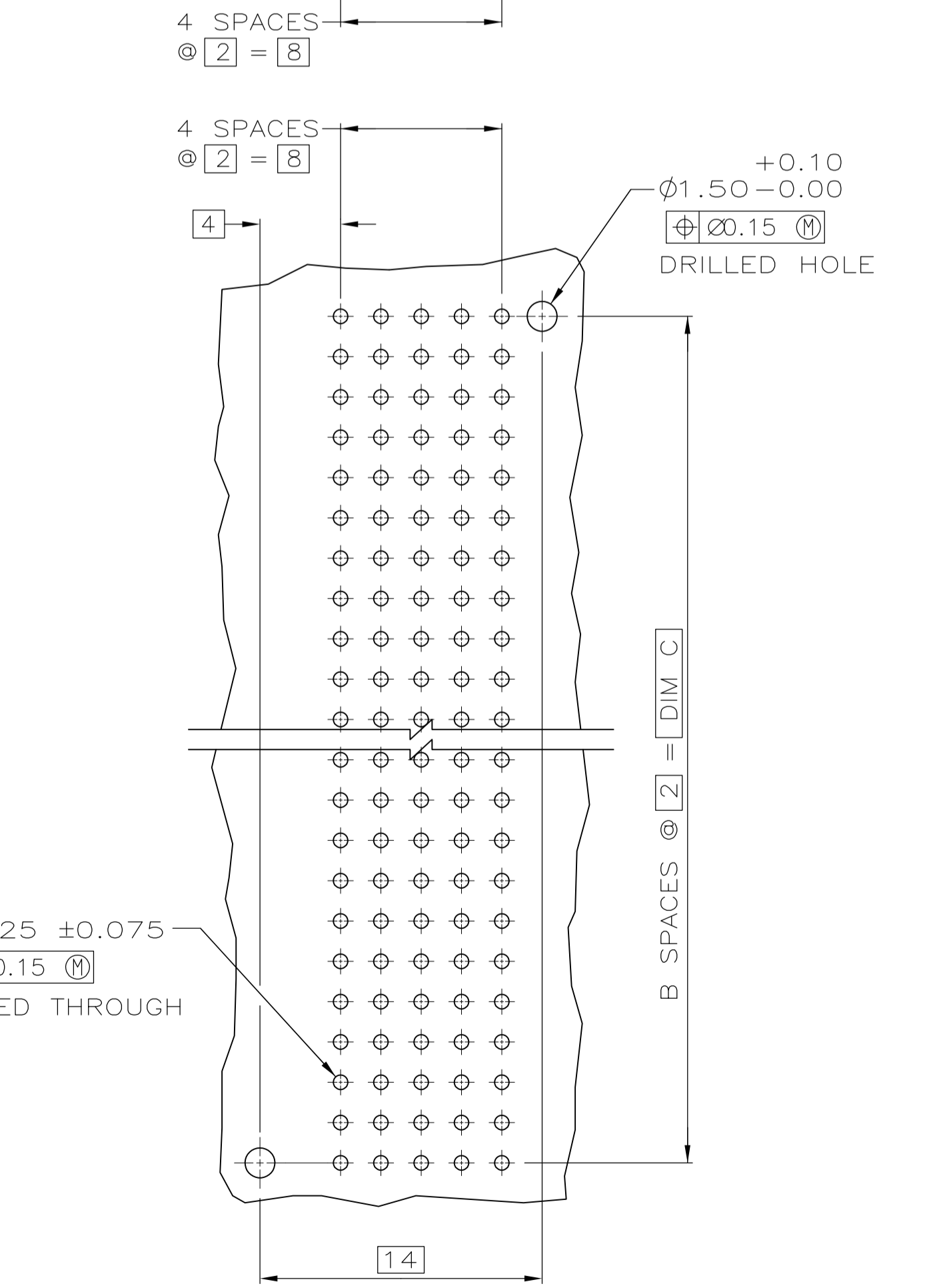
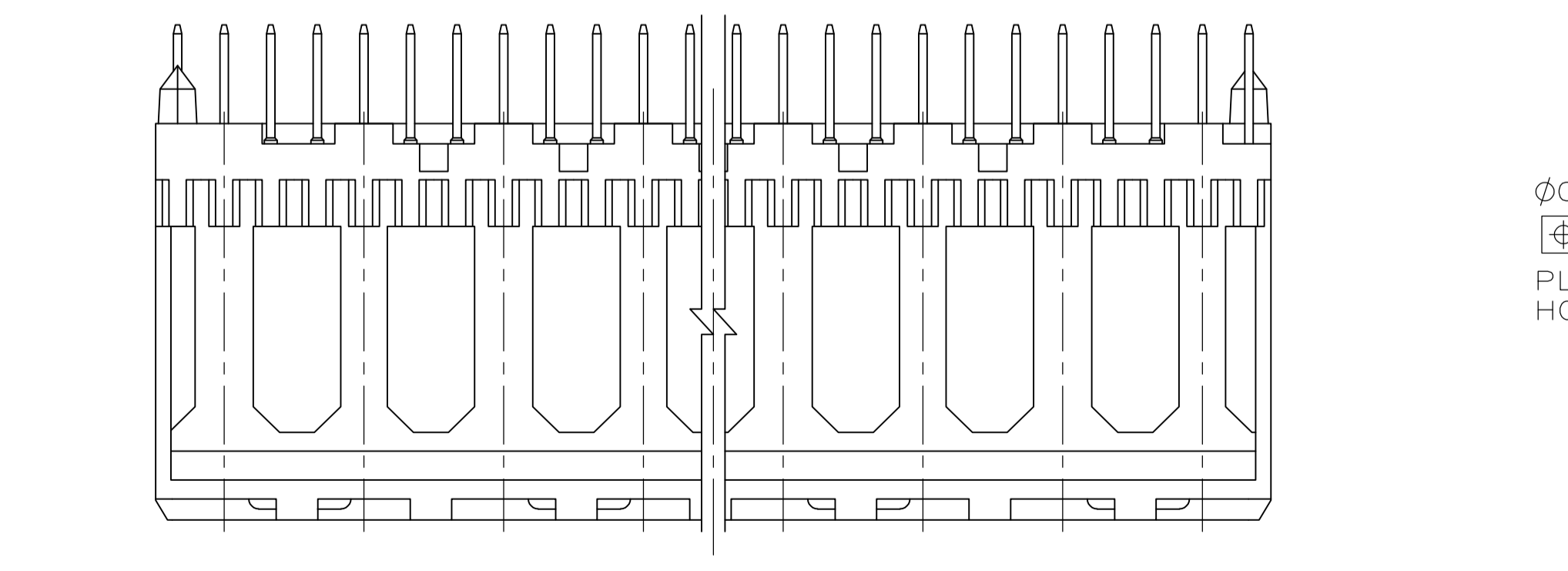
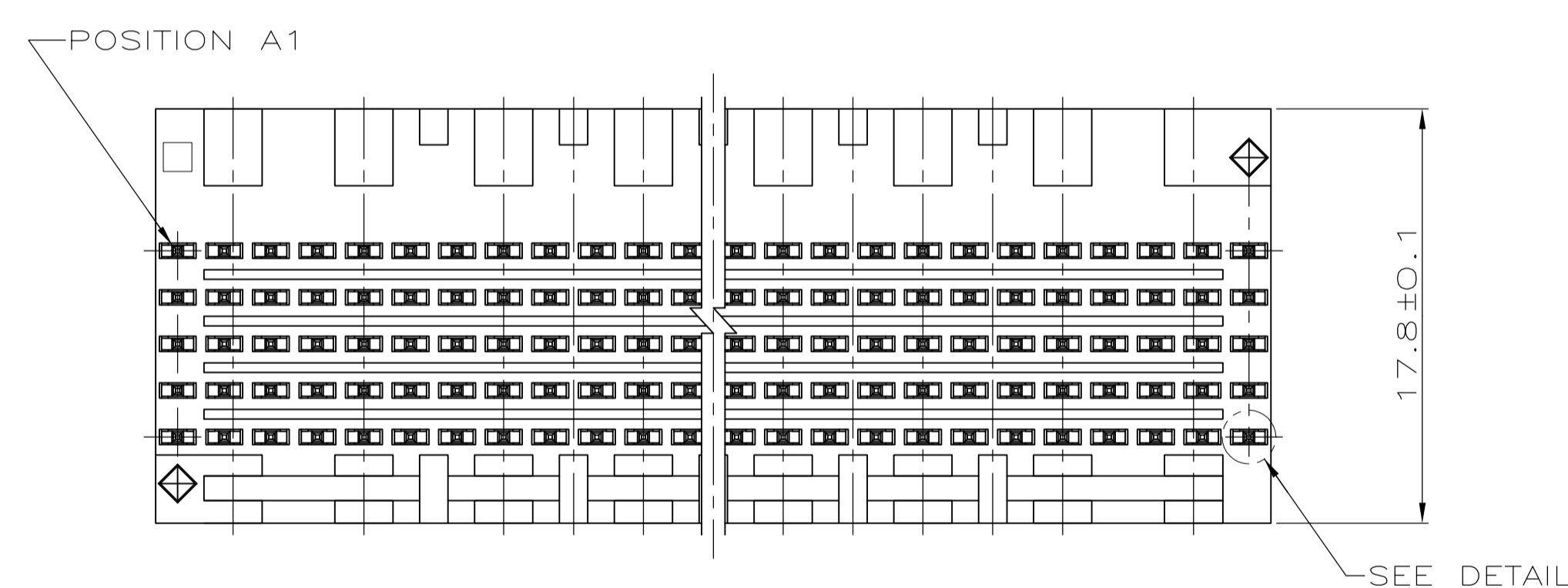
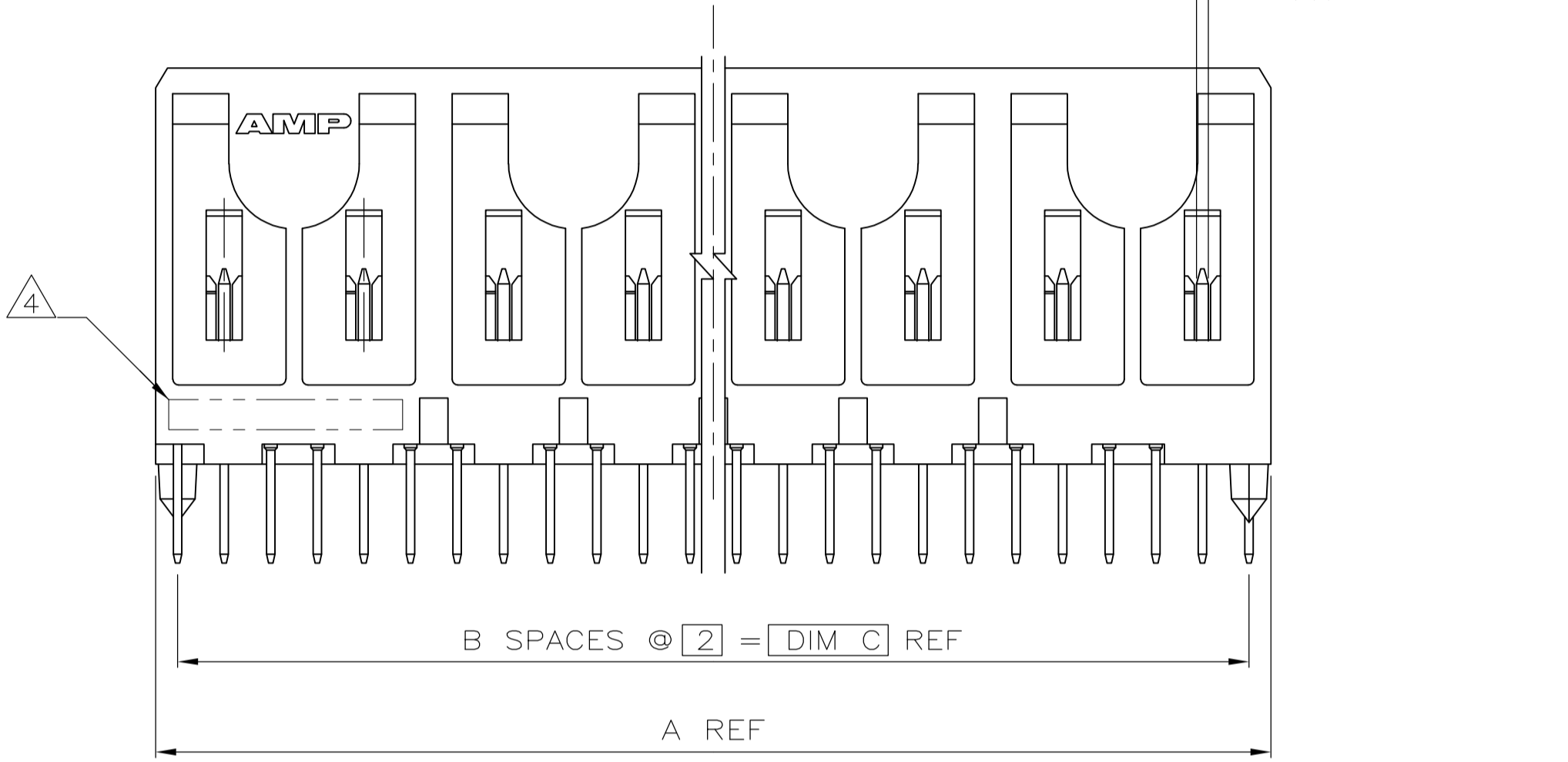


LOC		DIST		REVISIONS				
AD	00	P	LTR	DESCRIPTION	DATE	DMN	APVD	
		0		RELEASED PER EC 0512-0317-04	22NOV04	BM	RW	
		01		REVISED PER ECO-09-024606	29OCT09	KK	AEG	



- 1 HOUSING MATERIAL: LIQUID CRYSTAL POLYMER
COLOR: NATURAL.
- 2 CONTACT MATERIAL: PHOSPHOR BRONZE
- 3 CONTACT FINISH:(A)
UNDERPLATE (ENTIRE CONTACT):
0.00127 MIN NICKEL PER SAE-AMS-QQ-N-290
ON MATING SURFACES:
CONFORMS TO ALL TESTING SPECIFIED FOR TELCORDIA
UNCONTROLLED ENVIRONMENT.
ON LEADS:
0.00381 MIN MATTE TIN PER ASTM B 545 OVER UNDERPLATE.
LUBRICATION (MIN MATING SURFACES):
SURFACE CONDITIONER AFTER PLATING.
- 4 PART MARKING LOCATED APPROXIMATELY AS SHOWN.
- 5 OBSOLETE PARTS: OBSOLETE CIS STREAMLINING PER D.RENAUD/D.SINISI



RECOMMENDED CIRCUIT PATTERN (COMPONENT SIDE)

OBSOLETE	NO OF SIGNAL POSN				PART NUMBER
	C	B	A	NO OF SIGNAL POSN	
	94	47	95.88	240	5223010-8
	46	23	47.88	120	5223010-4
	22	11	23.88	60	5223010-2
	10	5	11.88	30	5223010-1

THIS DRAWING IS A CONTROLLED DOCUMENT.

DIMENSIONS: mm	TOLERANCES UNLESS OTHERWISE SPECIFIED:	0. PLC ± -	1. PLC ± -	2. PLC ± 0.13	3. PLC ± -	4. PLC ± -	ANGLES ± -	
MATERIAL		FINISH		WEIGHT	SIZE	CAGE CODE	DRAWING NO	RESTRICTED TO
1 2 3		3		-	A1	00779	5223010	-

Customer Drawing SCALE 4:1 SHEET 1 OF 1 REV 01